

# Technical Data



TRM025KTL  
TRM030KTL  
TRM033KTL

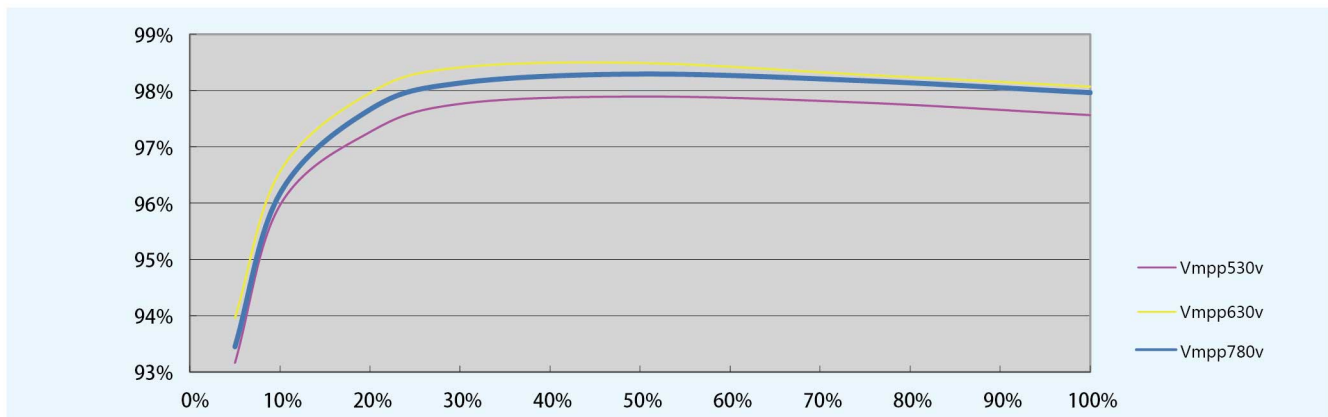
## Features:

- > Max efficiency 98.5%
- > Internal DC switch, fuse, and surge protection
- > Small footprint, easy installation
- > Dual MPPT
- > Reactive / Active power control
- > Able to display at night

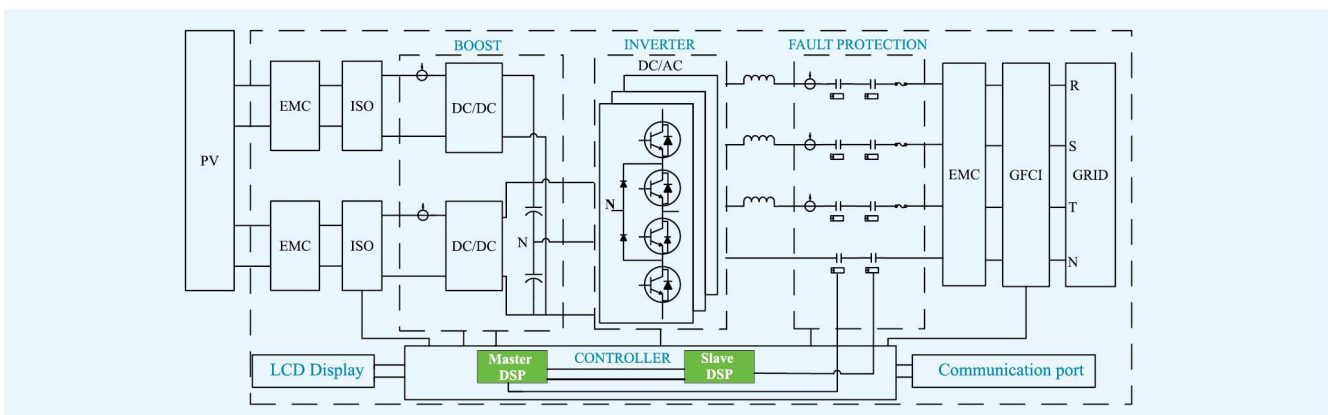
## Certificates and Approvals:

NB/T32004-2013(CQC), VDE AR-N-4105, VDE 0126-1-1+A1, EN50438, MEA, PEA

## Efficiency Curve (TRM030KTL):



## Circuit Diagram:





# TRM Series

## TRM025KTL / TRM030KTL /TRM033KTL

Model	TRM025KTL	TRM030KTL	TRM033KTL
Rated AC power	25000 W	30000 W	33000 W
Maximum AC power	25000 VA	30000 VA	33000 VA
<b>Input</b>			
Maximum input power	26000 W	32000 W	35000 W
Maximum DC input voltage	1000 Vdc	1000 Vdc	1000 Vdc
MPPT operating voltage range	250 - 800 Vdc	250 - 800 Vdc	250 - 800 Vdc
Startup voltage	200 Vdc	200 Vdc	200 Vdc
Initial feeding voltage	300 Vdc	300 Vdc	300 Vdc
MPPT number	2	2	2
Maximum input current	30 Adc / 30 Adc	30 Adc / 30 Adc	30 Adc / 30 Adc
Number of DC inputs	3+3	3+3	3+3
DC switch	Integrated	Integrated	Integrated
<b>Output</b>			
AC nominal voltage	3N - PE 400 Vac		
AC connection	Three phase		
AC voltage Range	280 Vac ~ 480 Vac		
Frequency range	50 Hz, 60Hz / -5 Hz ... +5 Hz		
Power factor	>0.99 . -0.8 ~ 0.8 controllable		
Maximum output current	45.5 Aac	45.5 Aac	48 Aac
DC current injection	< 2.5‰	< 2.5‰	< 2.5‰
THDi	< 3%	< 3%	< 3%
<b>System</b>			
Maximum efficiency	> 98.5%	> 98.5%	> 98.5%
European efficiency	> 98%	> 98%	> 98%
MPPT efficiency	> 99.9%	> 99.9%	> 99.9%
Night power consumption/Night display	< 0.2 W/Optional	< 0.2 W/Optional	< 0.2 W/Optional
Topology	Transformerless		
Heat dissipation	Smart Fan cooling		
Insulation monitoring	Yes		
DC reverse-polarity protection	Yes		
AC over current protection	Yes		
Anti-Islanding protection	Yes		
Residual current detection	Yes		
Thermal protection	Yes		
<b>General Parameters</b>			
Dimensions(W×H×D)	590 x 230 x 780 mm		
Weight	47 kg	47 kg	47 kg
Display	3.5 inch LCD		
Function key	4		
Data interface	RS232 / RS485/ RS422 / Ethernet / WiFi / GPRS / USB		
Ambient temperature range	-25°C - +60 °C		
Operating altitude	< 2000m		
Protection degree	IP65		
Noise emission	< 45dB(<55dB with Fan)		
Warranty	Standard 5 years 10/15/20/25 years extension optional		
<b>Certifications</b>			
Safety/EMC	IEC62109-1, IEC62109-2, EN61000-6-2, EN61000-6-3		
Grid code	NB/T32004-2013(CQC), VDE AR-N-4105, VDE 0126-1-1+A1 , EN50438, MEA, PEA		